



## • ED1238 Series.

**DC Brusless fan.**  
**Size:120 x120 x 38 mm**  
**4.7 x 1.5 inches**  
**Airflow: Max. 140 CFM / 4 m3/min**  
**Metal Frame / Metal Impeller**

Model No.	Rated Voltage VDC	Voltage Range VDC	Input Power Watt	Rated Current Amp	Ref Speed RPM	Max. Airflow CFM	m3/min	Max. Static Pressure Inch/H2O	mm/H2O	Noise Level dB (A)	PQ Curves
ED1238M-05EH**	5	4~6	9.5 (~15)	1.9(~3)	3200	120	3.4	0.42	10.67	44	SH
ED1238M-05SH**	5	4~6	9.5	1.9	2800	103	2.9	0.37	9.4	41	HH
ED1238M-05HH**	5	4~6	8	1.6	2500	94	2.7	0.35	8.89	36	H
ED1238M-12EH**	12	8~13.8	10.6 (~15)	0.88(~3)	3800	140	4	0.45	11.43	46	EH
ED1238M-12SH**	12	8~13.8	10.6	0.88	3200	120	3.4	0.40	10.16	41	SH
ED1238M-12HH**	12	10~13.8	8.4	0.7	3000	110	3.1	0.38	9.65	41	HH
ED1238M-12H**	12	8~13.8	6	0.5	2500	94	2.7	0.35	8.89	35	H
ED1238M-24EH**	24	12~27.6	10.3 (~15)	0.43(~0.62)	3800	140	4	0.45	11.13	47	EH
ED1238M-24SH**	24	12~27.6	10.3	0.43	3600	130	3.7	0.40	10.16	45	SH
ED1238M-24HH**	24	12~27.6	8.4	0.35	3000	110	3.1	0.38	9.65	41	HH
ED1238M-48EH**	48	38~55	10.6 (~15)	0.22(~0.32)	3800	140	4	0.45	11.43	47	EH
ED1238M-48SH**	48	38~55	10.6	0.22	3600	130	3.7	0.40	10.16	45	SH
ED1238M-48HH**	48	38~55	7.7	0.16	3000	110	3.1	0.38	9.65	41	HH

\*\* = "BL" for Ball bearing wire lead type, or "BT" for Ball bearing terminal type.

We Reserve the right to change data and improve electrical & mechanical design without notice, data tolerance +/- 10%

**Motor Type:** Microprocessor brushless DC Motor, auto cutoff, auto restart

**Burnout Protection:** Electronically protected, polarity protected

**IP Protection:** IP55 , 56 Optional request

### Mechanical

**Frame:** Aluminum die cast, black color

**Impeller:** 5 blades, all metal

**Bearing:** Two ball bearings

**Rotation:** CCW at left (L) seen on rotor

**Connection:** Wire lead or terminal flat pin connecting

**Weight:** 440 g (0.97 Lbs)

### Electronical

**Dielectric Strength:** 500 VAC/min. Max leakage 500mA

**Speed Control:** Optional:PWM, S/C NTC thermister,0~10V control voltage S/V

**Signal Output:** Optional:R/D alarm output, tachometer output F/G

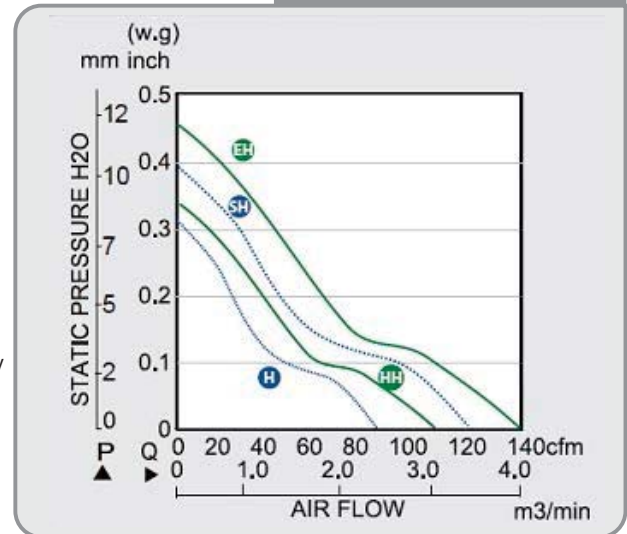
### Environment

**Operating Temp:** -20°C~+65°C

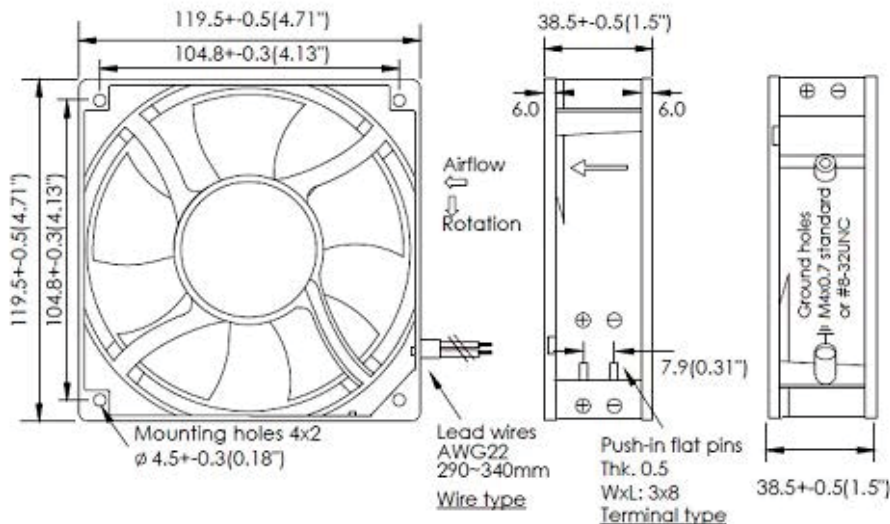
**Storage Temp:** -25°C~+75°C (at 65%RH)

**Life Expectancy:** L10 40K hours at 55°C

### ► Performance P-Q Curves.



### ► Outline Dimensions.



### Fan Accessories

